



C3 has released a series of illumination products for healthcare that can be controlled by staff and/or the patient. The products allow the environment of the room to be customized at the touch of a button to meet the mood or needs of the patient and staff.

Axon Downlights use the innovative ION™ Light Engine driven by the patented Helius™ Remote Power Distribution Module. These products are shallow, lightweight, have a remarkably even light distribution pattern and consume 65% to 90% less energy than incandescent-based products. They're driven by centralized remote Class 1 or Class 2 power which significantly reduces installation costs. RFI/EMI free, non-ferrous construction eliminates mounting restrictions, making them ideal for specialized applications in healthcare such as MRI rooms.

Available for: (find your application below)

■ HEALTHCARE ■ CLASSROOM ■ ARCHITECTURE



Example of part number:

SL

COLOR TEMP	5
------------	---

# OF LEDs	5
-----------	---

# OF LEDs	4
-----------	---

 -

SIZE	012
------	-----

 -

SIZE	048
------	-----

 -

MOUNTING	00
----------	----

 -

FINISH	WA
--------	----

 -

J-BOX	2
-------	---

 -

OPTIONS	S
---------	---

 = **SL 554-012-048-00-WA-2-S**

■ HEALTHCARE

SPECIFICATIONS

HOUSING: Aluminum.

LENS: 1/8" White Acrylic.

LENS TRIM: Aluminum.

ILLUMINATION: 2,000K, 3,000K, 3,500K, 4,200K, 5,000K, 6,000K, or Tunable-White.

ELECTRICAL: Current limiter provided for Class 1 power.

FINISH: Agion Antimicrobial White Powder Coat.

WARRANTY: Refer to www.c3lighting.com/warranty.html

OR	COLOR TEMP	DIAMETER	MOUNTING	FINISH	J-BOX	OPTIONS
0	2,000K	06 (10.8W)	01 Grid Ceiling	WS Standard White	1 Class 1 Power ** with current limiter	X Standard
1	3,000K	10 (31.2W)	02 Gypsum Ceiling	WA Antimicrobial White	2 Class 2 Power	S Sealed
2	3,500K			C Custom		
3	4,200K					
4	5,000K					
5	6,000K					
7	Healthcare Tunable-White (3,000K-6,000K)					

*** Class 1 power only applies to shielded or RFI/EMI sensitive environments*

CLASSROOM

SPECIFICATIONS

HOUSING: Aluminum.
 LENS: 1/8" White Acrylic.
 LENS TRIM: Aluminum.
 ILLUMINATION: Standard (4,200K), Concentrate, Energy, Relax, and Audio Visual.
 ELECTRICAL: Class 2 Power.
 FINISH: White Powder Coat.
 WARRANTY: Refer to www.c3lighting.com/warranty.html

COLOR TEMP	DIAMETER	MOUNTING	FINISH	J-BOX
8				2
8 Classroom Advanced Lighting Presets	06 (10.8W) 10 (31.2W)	01 Grid Ceiling 02 Gypsum Ceiling	WS Standard White C Custom	2 Class 2 Power

ARCHITECTURE

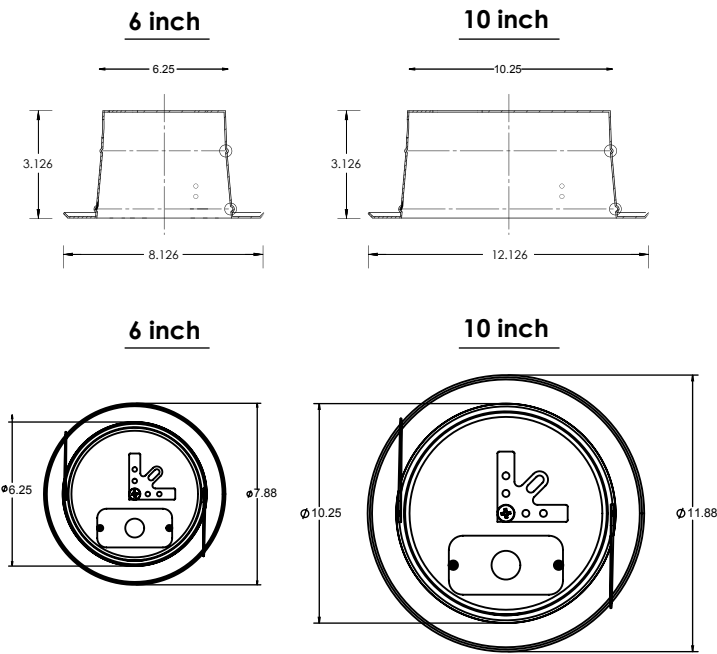
SPECIFICATIONS

HOUSING: Aluminum.
 LENS: 1/8" White Acrylic.
 LENS TRIM: Aluminum.
 ILLUMINATION: 2,000K, 3,000K, 3,500K, 4,200K, 5,000K, 6,000K, or Tunable-White.
 ELECTRICAL: Current limiter provided for Class 1 power.
 FINISH: White Powder Coat.
 WARRANTY: Refer to www.c3lighting.com/warranty.html

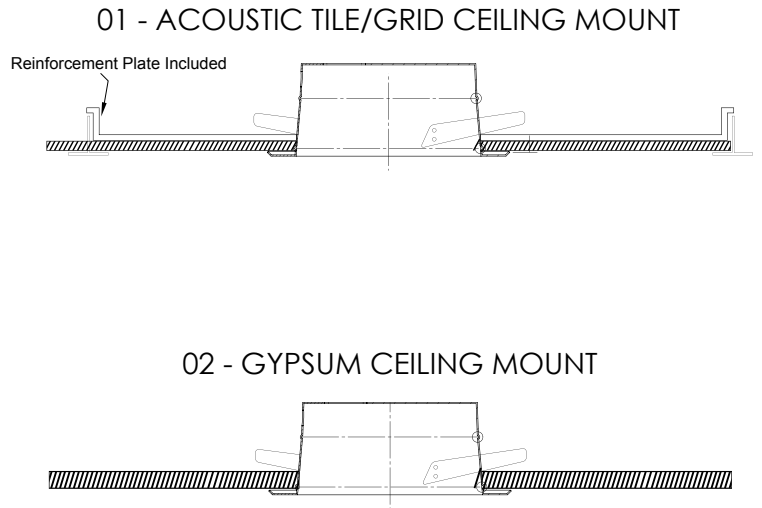
COLOR TEMP	DIAMETER	MOUNTING	FINISH	J-BOX
OR				
0 2,000K	06 (10.8W)	01 Grid Ceiling	WS Standard White	1 Class 1 Power with current limiter
1 3,000K	10 (31.2W)	02 Gypsum Ceiling	C Custom	2 Class 2 Power
2 3,500K				
3 4,200K				
4 5,000K				
5 6,000K				
6 Architectural Tunable-White (2,700K-4,200K)				



DIMENSIONS



MOUNTING



Electrical (Based on 1 LED per sq. inch)

Note: Does not include a DC Power Supply!

LED: 90K hour life.

6" Draw: 24VDC, .45A, 10.8W, +/- 10%

10" Draw: 24VDC, 1.3A, 31.2W, +/- 10%

Diffuser/Lens

Translucent White PMMA Acrylic Diffuser

Accessories (Sold Separately)

Power Distribution: Helius 24VDC Remote Power Distribution Module (See Power & Controls)

Controls (If Dimmable)

0-10V switch(es) (by others), DMX switch(es) by C3 or others (512a DMX Protocol only) (See Power & Controls)

Construction

Aluminum.

Sealed (Optional)

- NSF Listed Silicone Seal
- NSF Listed Closed Cell Foam Gasket provided when specified with flush mount flange.
- IP66 Rated

Certification & Compliance



Intertek

- Standard for Safety for Low Voltage Lighting Systems, **UL 2108** First Ed., Feb. 27, 2004
- Standard for Safety for Light Emitting Diode Equipment for Use in Lighting Products, **UL 8750**
- Standard for General Requirements for Luminaires **CSA C22.2** No. 9.0-96, July 1998

Finish

Agion® Antimicrobial protection using silver technology inhibits bacterial colonization on interior and exterior surfaces. Agion® antimicrobial FDA is recognized and EPA registered, meeting all applicable EPA standards.



Warranty Information

Refer to www.c3lighting.com/warranty.html

