



C3 has released a series of illumination products for the patient room that can be controlled by staff and/or the patient. The products allow the environment of the patient room to be customized at the touch of a button to meet the mood or needs of the patient and staff. Multiple panels can be combined to create large graphic scenes.

C3's Vu-Point is designed specifically to backlight images in T-Bar or Hard-Lid ceilings. The unique housing is placed on top of graphic panels and suspended on the T-bar grid. For certain applications, the graphics can be installed and sealed in the illuminator's housing. Like all products from C3 Lighting, they use the innovative ION™ Light Engine. All fixtures have an Agion Antimicrobial Powder Coat finish. The unique Class 1 or Class 2 Power Package reduces installation costs, these illuminators consume a minimum of 65% less energy than similar illumination from T-8 fluorescent lamps.

Available for: (find your application below)

■ HEALTHCARE ■ CLASSROOM ■ ARCHITECTURE



**Example of part number:**

SL 5 5 4 - 012 - 048 - 00 - WA - 2 - S = **SL 554-012-048-00-WA-2-S**

■ **HEALTHCARE**

**SPECIFICATIONS**

HOUSING: Extruded Aluminum Sides and Aluminum Backplate.

LENS: 1/8" White Acrylic Lens.

ILLUMINATION: 4,200K or Tunable-White.

ELECTRICAL: Aluminum J-Box with current limiter provided for Class 1 power. J-Box is optional for Class 2 power.

FINISH: Agion Antimicrobial White Powder Coat.

WARRANTY: Refer to [www.c3lighting.com/warranty.html](http://www.c3lighting.com/warranty.html)

| SL | COLOR TEMP  | GRAPHIC MOUNTING  | SIZE  | CONFIGURATION   | FINISH  | J-BOX   | OPTIONS   |
|----|---|---|---|---|---|---|---|
|    | <span style="border: 1px solid black; padding: 2px;"> </span> | <span style="border: 1px solid black; padding: 2px;">2</span> | <span style="border: 1px solid black; padding: 2px;"> </span> - <span style="border: 1px solid black; padding: 2px;"> </span> | <span style="border: 1px solid black; padding: 2px;"> </span> - <span style="border: 1px solid black; padding: 2px;"> </span> | <span style="border: 1px solid black; padding: 2px;"> </span> - <span style="border: 1px solid black; padding: 2px;"> </span> | <span style="border: 1px solid black; padding: 2px;"> </span> - <span style="border: 1px solid black; padding: 2px;"> </span> | <span style="border: 1px solid black; padding: 2px;"> </span> - <span style="border: 1px solid black; padding: 2px;"> </span> |
| 3  | 4,200K  | 0 Inside Frame  | <b>024-024</b>  | <b>202</b> (46.1-watts)   | <b>WS</b> Standard White  | 1 Class 1 Power** with current limiter  | <b>X</b> Standard   |
| 7  | Healthcare Tunable-White (3,000K-6,000K)                      | 1 Outside Frame   | <b>024-048</b>  | <b>402</b> (92.2-watts)   | <b>WA</b> Antimicrobial White   | 2 Class 2 Power no j-box  | <b>S</b> Sealed   |
|    |   |   | (Contact factory for more size options)   | <b>404</b> (184.4-watts)  | <b>C</b> Custom   | 3 Class 2 Power with j-box  |   |
|    |   |   |   | <b>404a</b> (184.4-watts)   |   |   |   |
|    |   |   |   | <b>404b</b> (184.4-watts)   |   |   |   |
|    |   |   |   | <b>604</b> (276.5-watts)  |   |   |   |
|    |   |   |   | <b>602</b> (92.2-watts)   |   |   |   |
|    |   |   |   | <b>606</b> (414.8-watts)  |   |   |   |
|    |   |   |   | <b>802</b> (184.4-watts)  |   |   |   |
|    |   |   |   | <b>804</b> (368.7-watts)  |   |   |   |
|    |   |   |   | <b>804a</b> (368.7-watts)   |   |   |   |
|    |   |   |   | <b>804b</b> (368.7-watts)   |   |   |   |
|    |   |   |   | <b>806</b> (553.0-watts)  |   |   |   |
|    |   |   |   | <b>808</b> (737.3-watts)  |   |   |   |
|    |   |   |   | <b>808a</b> (737.3-watts)   | (See last page for orientation options)   |   |   |
|    |   |   |   | <b>808b</b> (737.3-watts)   |   |   |   |

\*ITEM# = GRAPHIC - XXXXXX

\*\* Class 1 power only applies to shielded or RF/EM sensitive environments

\*Please visit [www.c3lighting.com/vupoint](http://www.c3lighting.com/vupoint) to choose graphic #

**CLASSROOM**

**SPECIFICATIONS**

HOUSING: Extruded Aluminum Sides and Aluminum Backplate. LENS: 1/8" White Acrylic Lens.

ILLUMINATION: 4,200K or Tunable-White.

ELECTRICAL: Aluminum J-Box with current limiter provided for Class 1 power. J-Box is optional for Class 2 power.

FINISH: Standard White and Custom color options available.

WARRANTY: Refer to [www.c3lighting.com/warranty.html](http://www.c3lighting.com/warranty.html)

| SL | COLOR TEMP                                 | GRAPHIC MOUNTING              | SIZE  | CONFIGURATION             | FINISH                                  | J-BOX                                | OPTIONS              |
|----|--|-------------------------------|---|---------------------------|---|--------------------------------------|----------------------|
|    | <input type="text"/>                       | <b>2</b> <input type="text"/> | <input type="text"/> - <input type="text"/>               | <input type="text"/>      | <input type="text"/>                    | <input type="text"/>                 | <input type="text"/> |
| 3  | 4,200K                                     | 0 Inside Frame                | <b>024-024</b>  | <b>202</b> (46.1-watts)   | <b>WS</b> Standard White                | 1 Class 1 Power with current limiter | <b>X</b> Standard    |
| 6  | Architectural Tunable-White (2700K-4,200K) | 1 Outside Frame               | <b>024-048</b><br>(Contact factory for more size options) | <b>402</b> (92.2-watts)   | <b>WA</b> Antimicrobial White           | 2 Class 2 Power no j-box             | <b>S</b> Sealed      |
|    |  |                               |   | <b>404</b> (184.4-watts)  | <b>C</b> Custom                         | 3 Class 2 Power with j-box           |                      |
|    |  |                               |   | <b>404a</b> (184.4-watts) |   |                                      |                      |
|    |  |                               |   | <b>404b</b> (184.4-watts) |   |                                      |                      |
|    |  |                               |   | <b>604</b> (276.5-watts)  |   |                                      |                      |
|    |  |                               |   | <b>602</b> (92.2-watts)   |   |                                      |                      |
|    |  |                               |   | <b>606</b> (414.8-watts)  |   |                                      |                      |
|    |  |                               |   | <b>802</b> (184.4-watts)  |   |                                      |                      |
|    |  |                               |   | <b>804</b> (368.7-watts)  |   |                                      |                      |
|    |  |                               |   | <b>804a</b> (368.7-watts) |   |                                      |                      |
|    |  |                               |   | <b>804b</b> (368.7-watts) |   |                                      |                      |
|    |  |                               |   | <b>806</b> (553.0-watts)  |   |                                      |                      |
|    |  |                               |   | <b>808</b> (737.3-watts)  |   |                                      |                      |
|    |  |                               |   | <b>808a</b> (737.3-watts) | (See last page for orientation options) |                                      |                      |
|    |  |                               |   | <b>808b</b> (737.3-watts) |   |                                      |                      |

\*ITEM# = GRAPHIC -

\*Please visit [www.c3lighting.com/vupoint](http://www.c3lighting.com/vupoint) to choose graphic #

**ARCHITECTURE**

**SPECIFICATIONS**

HOUSING: Extruded Aluminum Sides and Aluminum Backplate. LENS: 1/8" White Acrylic Lens.

ILLUMINATION: 4,200K or Tunable-White.

ELECTRICAL: Aluminum J-Box with current limiter provided for Class 1 power. J-Box is optional for Class 2 power.

FINISH: Standard White and Custom color options available.

WARRANTY: Refer to [www.c3lighting.com/warranty.html](http://www.c3lighting.com/warranty.html)

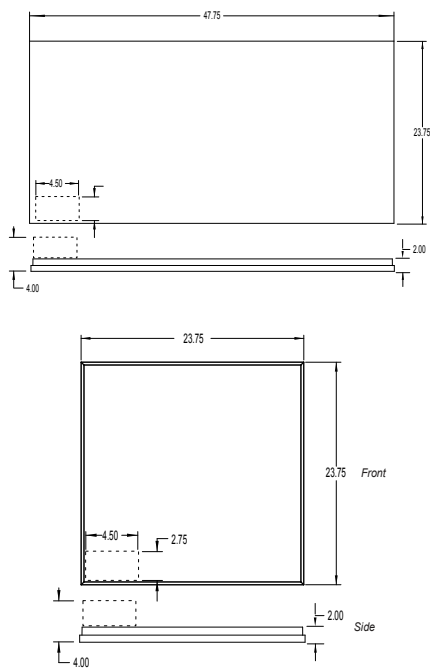
| SL | COLOR TEMP                                 | GRAPHIC MOUNTING              | SIZE  | CONFIGURATION             | FINISH                                  | J-BOX                                | OPTIONS              |
|----|--|-------------------------------|---|---------------------------|---|--------------------------------------|----------------------|
|    | <input type="text"/>                       | <b>2</b> <input type="text"/> | <input type="text"/> - <input type="text"/>               | <input type="text"/>      | <input type="text"/>                    | <input type="text"/>                 | <input type="text"/> |
| 3  | 4,200K                                     | 0 Inside Frame                | <b>024-024</b>  | <b>202</b> (46.1-watts)   | <b>WS</b> Standard White                | 1 Class 1 Power with current limiter | <b>X</b> Standard    |
| 6  | Architectural Tunable-White (2700K-4,200K) | 1 Outside Frame               | <b>024-048</b><br>(Contact factory for more size options) | <b>402</b> (92.2-watts)   | <b>WA</b> Antimicrobial White           | 2 Class 2 Power no j-box             | <b>S</b> Sealed      |
|    |  |                               |   | <b>404</b> (184.4-watts)  | <b>C</b> Custom                         | 3 Class 2 Power with j-box           |                      |
|    |  |                               |   | <b>404a</b> (184.4-watts) |   |                                      |                      |
|    |  |                               |   | <b>404b</b> (184.4-watts) |   |                                      |                      |
|    |  |                               |   | <b>604</b> (276.5-watts)  |   |                                      |                      |
|    |  |                               |   | <b>602</b> (92.2-watts)   |   |                                      |                      |
|    |  |                               |   | <b>606</b> (414.8-watts)  |   |                                      |                      |
|    |  |                               |   | <b>802</b> (184.4-watts)  |   |                                      |                      |
|    |  |                               |   | <b>804</b> (368.7-watts)  |   |                                      |                      |
|    |  |                               |   | <b>804a</b> (368.7-watts) |   |                                      |                      |
|    |  |                               |   | <b>804b</b> (368.7-watts) |   |                                      |                      |
|    |  |                               |   | <b>806</b> (553.0-watts)  |   |                                      |                      |
|    |  |                               |   | <b>808</b> (737.3-watts)  |   |                                      |                      |
|    |  |                               |   | <b>808a</b> (737.3-watts) | (See last page for orientation options) |                                      |                      |
|    |  |                               |   | <b>808b</b> (737.3-watts) |   |                                      |                      |

\*ITEM# = GRAPHIC -

\*Please visit [www.c3lighting.com/vupoint](http://www.c3lighting.com/vupoint) to choose graphic #

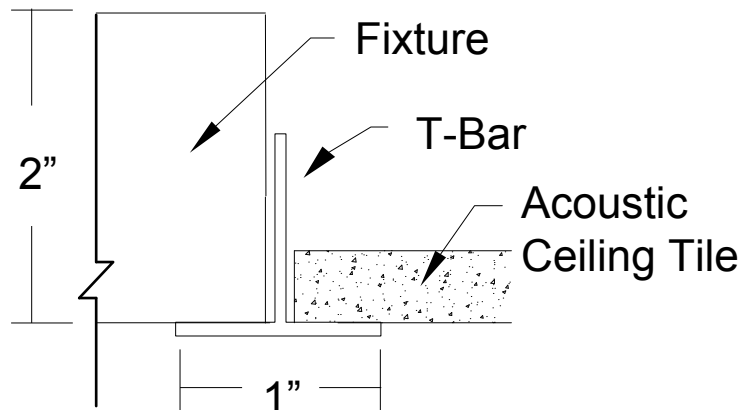


## DIMENSIONS



## MOUNTING

00 - GRID LAY IN



### Electrical (Based on 1 LED per sq. inch)

**Note: Does not include a DC power supply!**

Number of LEDs: 1152 (90K hour life)  
 Draw: 24VDC, 1.92A, 46.08W (2' X 2'), +/- 10%

### Accessories (Sold Separately)

Power Distribution: Helius 24VDC Remote Power Distribution Module (See Power & Controls)

### Controls (If Dimmable)

DMX switch(es) by C3 or DMX control(s) by others (512a DMX Protocol only)  
 (See Power & Controls)

### Diffuser/Lens

Translucent White PMMA Acrylic Diffuser

### Construction

Extruded aluminum

### Warranty Information

Refer to [www.c3lighting.com/warranty.html](http://www.c3lighting.com/warranty.html)

### Certification & Compliance



### Intertek

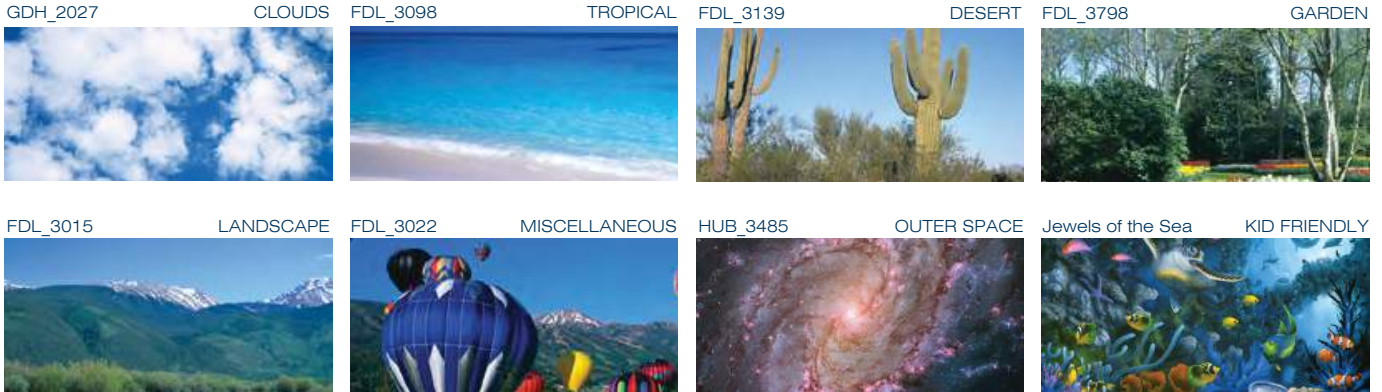
- Standard for Safety for Low Voltage Lighting Systems, **UL 2108** First Ed., Feb. 27, 2004
- Standard for Safety for Light Emitting Diode Equipment for Use in Lighting Products, **UL 8750**
- Standard for General Requirements for Luminaires **CSA C22.2** No. 9.0-96, July 1998

### Finish

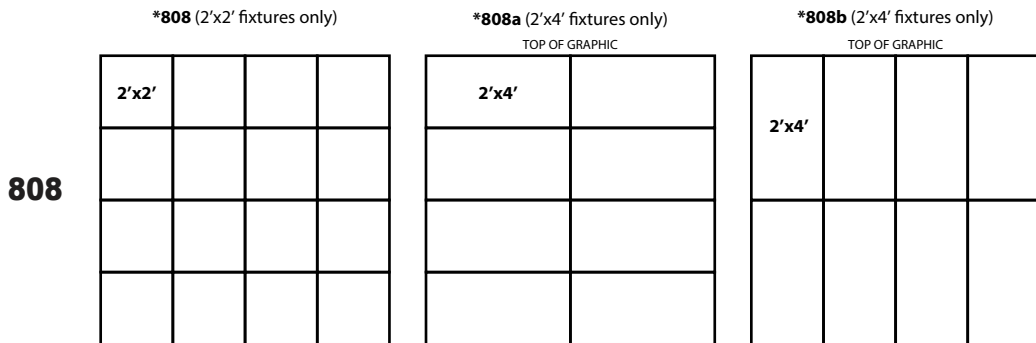
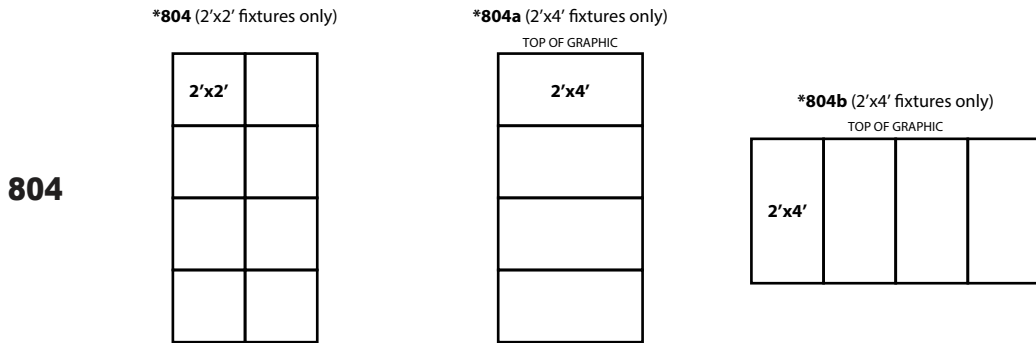
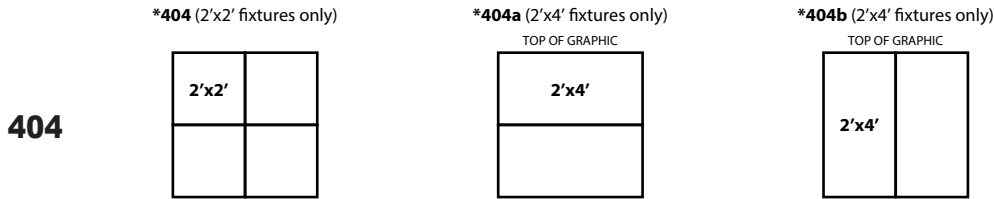
Agion® Antimicrobial protection using silver technology inhibits bacterial colonization on interior and exterior surfaces. Agion® antimicrobial FDA is recognized and EPA registered, meeting all applicable EPA standards.



# GRAPHIC EXAMPLES



Please visit [www.c3lighting.com/vupoint](http://www.c3lighting.com/vupoint) to choose graphic image.



FIXTURE ORIENTATION



- 202** (2'x2')
- 402** (4'x2')
- 404** (4'x4')
- 404a\*** (4'x4' horizontal)
- 404b\*** (4'x4' vertical)
- 604** (6'x4')
- 602** (6'x2')
- 606** (6'x6')
- 802** (8'x2')
- 804** (8'x4')
- 804a\*** (8'x4' horizontal)
- 804b\*** (8'x4' vertical)
- 806** (8'x6')
- 808** (8'x8')
- 808a\*** (8'x8' horizontal)
- 808b\*** (8'x8' vertical)

Contact factory for additional or custom configurations

