



The first digital switch that can be factory programmed to adapt to user requirements. Our new digital switch can be configured for on/off only, dimming with on/off, dimming with tunable-white and on/off, dimming with DMX scene-start, etc.

This product allows C3 to better meet the needs of our clients in a single-gang package.



Available for: (find your application below)

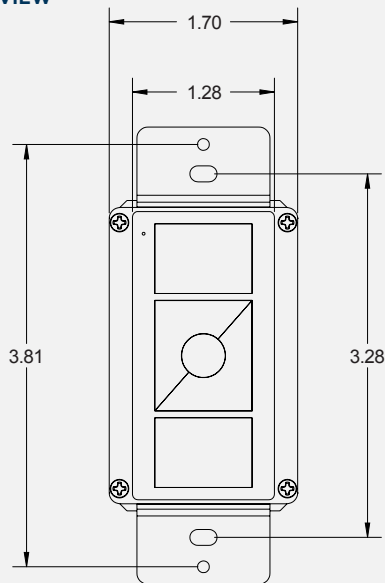
■ POWER + CONTROL

FEATURES

- Mechanical touch distributing digital commands.
- Fits single-gang J-box.
- Fits standard Decora-style wall plate.
- Multi-way switching.
- Sensor input
- May be installed in series, minimizing wiring.
- Installs using Cat-5 cable.
- 100% to 2% dimming.
- Controls DMX 512 power supplies.

DIMENSIONS Measurements shown as: in (mm)

FRONT VIEW



SIDE VIEW

