



Available for: (find your application below)

■ CLASSROOM ■ ARCHITECTURE

C3 Lighting has developed the first fully solid state Innovative Classroom Lighting Solution that addresses both lighting and acoustics, both necessary for improved learning. The color temperature and illumination levels of a classroom's lighting can be adjusted by the teacher based on different classroom activities.

Luminess Acoustic Diffused Luminaires are both evolutionary and revolutionary in industry style, format, and function. An "acoustic ceiling" used to mean heavy absorptive mineral or fiberglass, blocking only mid-range sound. Luminess acoustic Lighting is acoustically and optimally sized and shaped in light weight material. It scientifically and uniformly diffuses high-mid sound, controls reverberation and optimizes low frequency absorption.



Example of part number:

SL

COLOR TEMP	5
------------	---

# OF LEDs	5
-----------	---

# OF LEDs	4
-----------	---

 -

SIZE	012
------	-----

 -

SIZE	048
------	-----

 -

MOUNTING	00
----------	----

 -

FINISH	WA
--------	----

 -

J-BOX	2
-------	---

 -

OPTIONS	S
---------	---

 = **SL 554-012-048-00-WA-2-S**

■ CLASSROOM

SPECIFICATIONS

HOUSING: Extruded Aluminum Sides and Aluminum Backplate. T-Bar or surface mount.

LENS: 1/8" White Acrylic Lens.

ILLUMINATION: Standard (4,200K), Concentrate, Energy, Relax, and Audio Visual.

ELECTRICAL: J-Box is optional for Class 2 power.

FINISH: White Powder Coat.

WARRANTY: Refer to www.c3lighting.com/warranty.html

LM

COLOR TEMP	8
------------	---

# OF LEDs	55
-----------	----

 -

SIZE	024
------	-----

 -

SIZE	024
------	-----

 -

MOUNTING	
----------	--

 -

FINISH	
--------	--

 -

J-BOX	
-------	--

8	Classroom Advanced Lighting Presets
024-024	(70 - watts) (2'x2' only)
00	Ceiling Grid T-bar
01	Integral Flange Surface Mount
WS	Standard White
C	Custom
2	Class 2 Power no j-box
3	Class 2 power with j-box

ARCHITECTURE

SPECIFICATIONS

HOUSING: Extruded Aluminum Sides and Aluminum Backplate. T-Bar or surface mount.

LENS: 1/8" White Acrylic Lens.

ILLUMINATION: RGB, RGBA, RGBW, 2,000, 3,000, 3,500, 4,200, 5,000, 6,000, or Tunable-White

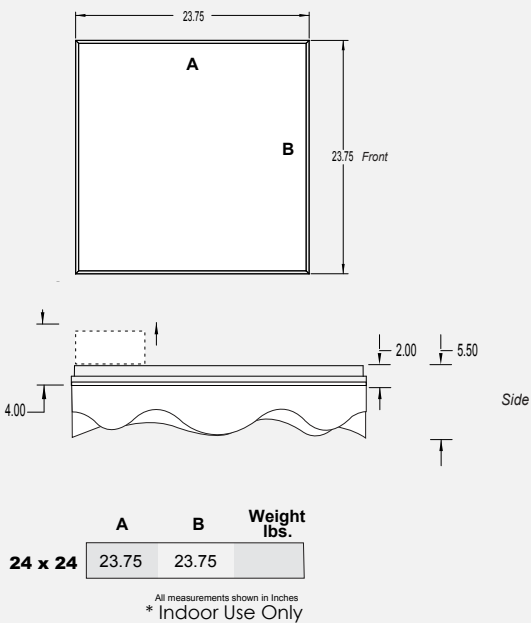
ELECTRICAL: Aluminum J-Box with current limiter provided for Class 1 power. J-Box is optional for Class 2 power.

FINISH: White Powder Coat.

WARRANTY: Refer to www.c3lighting.com/warranty.html

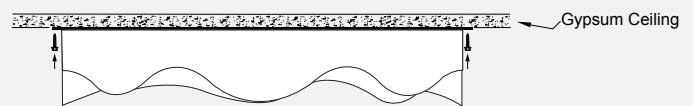
LM	COLOR TEMP	SIZE	MOUNTING	FINISH	J-BOX
	55	024 - 024			
0	2,000K	024-024 (70 - watts) (2'x2' only)	00 Ceiling Grid T-bar	WS Standard White	2 Class 2 Power no j-box
1	3,000K		01 Integral Flange Surface Mount	C Custom	3 Class 2 power with j-box
2	3,500K				
3	4,200K				
4	5,000K				
5	6,000K				
6	Architectural Tunable-White (2,700K-4,200K)				
R	RGB				
A	RGBA				
W	RGBW				

DIMENSIONS

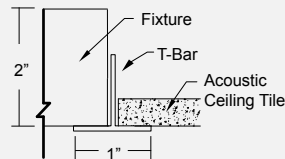


MOUNTING

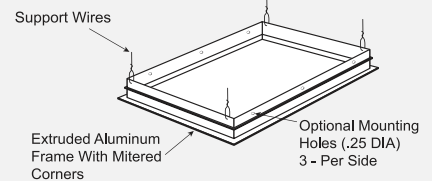
01 - INTEGRAL FLANGE-SURFACE MOUNT



00 - GRID LAY IN



**MOUNTING ACCESSORY -
HARD LID GRID ADAPTER KIT (SOLD SEPARATELY)**



Ordering Information:
2x2 = Grid Adapter kit-2x2
2x4 = Grid Adapter kit-2x4



PHOTOMETRICS

All results in accordance to IESNA LM-79-2008: Approved Method for the Electrical and Photometric Testing of Solid-State Lighting.

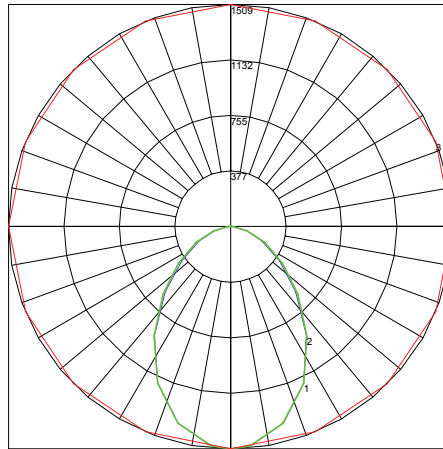
FIXTURE DATA

Dimensions	23.75" x 23.75"x2"
Lamp	LED
Fixture Lumens	2929
Watts	46.08
Mounting	
Correlated Color Temp	4261

ZONAL LUMEN SUMMARY

Zone	Lumens	% Lamp	% Fixt.
0-30	787.03	N.A.	26.9
0-40	1354.7	N.A.	46.3
0-60	2342	N.A.	80
0-90	2928	N.A.	100
0-180	2928.7	N.A.	1000

024-024



Maximum Candela = 1509 Located At Horizontal Angle = 0, Vertical Angle = 0
 # 1 - Vertical Plane Through Horizontal Angles (0 - 180) (Through Max. Cd.) : BLUE
 # 2 - Vertical Plane Through Horizontal Angles (45 - 225) : GREEN
 # 3 - Horizontal Cone Through Vertical Angle (0) (Through Max. Cd.) : RED

COEFFICIENTS OF UTILIZATION

RC	80			
	70	50	30	10
RW	119	119	119	119
0	119	119	119	119
1	109	104	99	95
2	99	90	84	78
3	90	79	71	65
4	82	70	61	55
5	76	63	54	47
6	70	56	47	41
7	65	51	42	36
8	60	46	38	32
9	56	42	34	28
10	52	39	31	26

LUMINANCE DATA

Angle In Degrees	Average 0-Deg	Average 45-Deg	Average 90-Deg
45	2564	2650	2580
55	2049	2169	2079
65	1633	1756	1667
75	1249	1361	1272
85	729	762	762

Electrical (Based on 1 LED per sq. inch)

Note: Does not include a DC Power Supply!

LED 90K Hour Life

Draw: 24VDC, 2.92A, 70W (2' X 2'), +/- 10%

Diffuser/Lens

Acoustic Translucent White PMMA Acrylic Diffuser

Accessories (Sold Separately)

Power Distribution: Helix 24VDC Remote Power Distribution Module (See Power & Controls)

Controls (If Dimmable)

DMX switch(es) by C3 or DMX control(s) by others (512a DMX Protocol only)
(See Power & Controls)

Warranty Information

Refer to www.c3lighting.com/warranty.html

Certification & Compliance



Intertek

- Standard for Safety for Low Voltage Lighting Systems, **UL 2108** First Ed., Feb. 27, 2004
- Standard for Safety for Light Emitting Diode Equipment for Use in Lighting Products, **UL 8750**
- Standard for General Requirements for Luminaires **CSA C22.2** No. 9.0-96, July 1998

Finish

White Powder Coat

