



The Revolt Programmable PWM Current Limiter is a stand-alone device that can be placed anywhere in a buildings' DC lighting circuit. This unique device reduces DC current from Class 1 to Class 2 levels, serves as a branch for LED wiring allowing easy distribution of DC circuits, provides PWM dimming, and monitors energy usage in each room or zone.

The Revolt Current Limiter is microprocessor controlled and can be addressed by C3's Intelligent Wall Controls, wireless through WiFi® or by DMX commands. The technology (patent pending) employed in the Revolt is a first in the LED lighting industry.

Available for: (find your application below)

■ POWER + CONTROL



Intertek

**Example of part number:**

SL 5 5 4 - 012 - 048 - 00 - WA - 2 - S = **SL 554-012-048-00-WA-2-S**

■ POWER + CONTROL

**SPECIFICATIONS**

FINISH: Textured Black Powder Coat

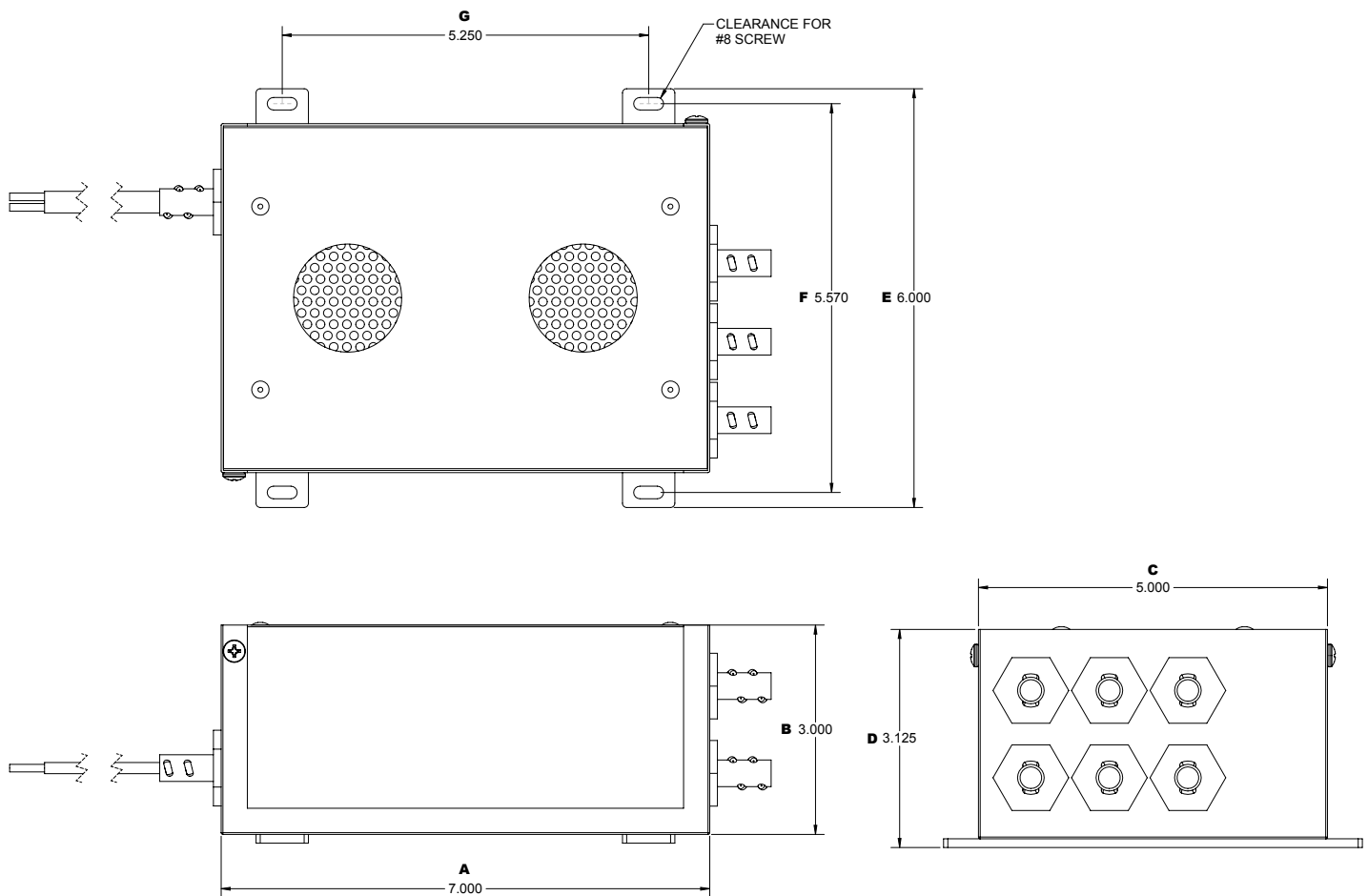
WARRANTY: Refer to [www.c3lighting.com/warranty.html](http://www.c3lighting.com/warranty.html)

	OUTPUTS	OUTPUT CURRENT	FEATURE
<b>RV</b>	<b>6</b>	<b>04</b>	<b>i</b>
RV Revolt	6 Six Outputs	04 4 Amp	i Active Current Limiter

## Product Specification **RV604i**

DIMENSIONS	A	B	C	D	E	F	G
All measurements shown in inches.	7.00	3.00	5.00	3.125	6.00	5.57	5.25
MATERIAL	ALUMINUM ALLOY ENCLOSURE						
FINISH	POWDERCOATED						
MOUNTING	FINISHED / UNFINISHED WALL & CEILING STRUCTURES						
WEIGHT	1.25 lbs						

**NOTE:** Terminate wire in conformance to the NEC and any other applicable Local, State, County Codes, and in conformance to the regulatory agencies or authorities having jurisdiction (AHJ)



Revolt Programmable PWM Current Limiter features can be maximized when used in combination with other C3 Lighting power and control products, such as Helius™ Power Distribution Modules, Muse™ Lighting Control Modules and Intelligent Wall Dimmers. Refer to their respective product and specification sheets, or call factory for additional information on these products.

*Specifications subject to change without notice. Contact factory for custom configurations.*  
 All referenced company and product names are trademarks, registered trademarks or copyrights of their respective holders.

