



The Revo Current Limiter is a stand-alone device that can be placed anywhere in a building's DC lighting circuit. This unique device will reduce high current DC from Class 1 to Class 2 and serves as a hub allowing easy distribution of circuits.

The Revo is a passive version of C3's Revolt Programmable PWM Current Limiter. This product is used when PWM dimming and energy monitoring are not a requirement.



Available for: (find your application below)

POWER + CONTROL

Example of part number:

SL 5 5 4 - 012 - 048 - 00 - WA - 2 - S = **SL 554-012-048-00-WA-2-S**

POWER + CONTROL

SPECIFICATIONS

FINISH: Textured Black Powder Coat

WARRANTY: Refer to www.c3lighting.com/warranty.html

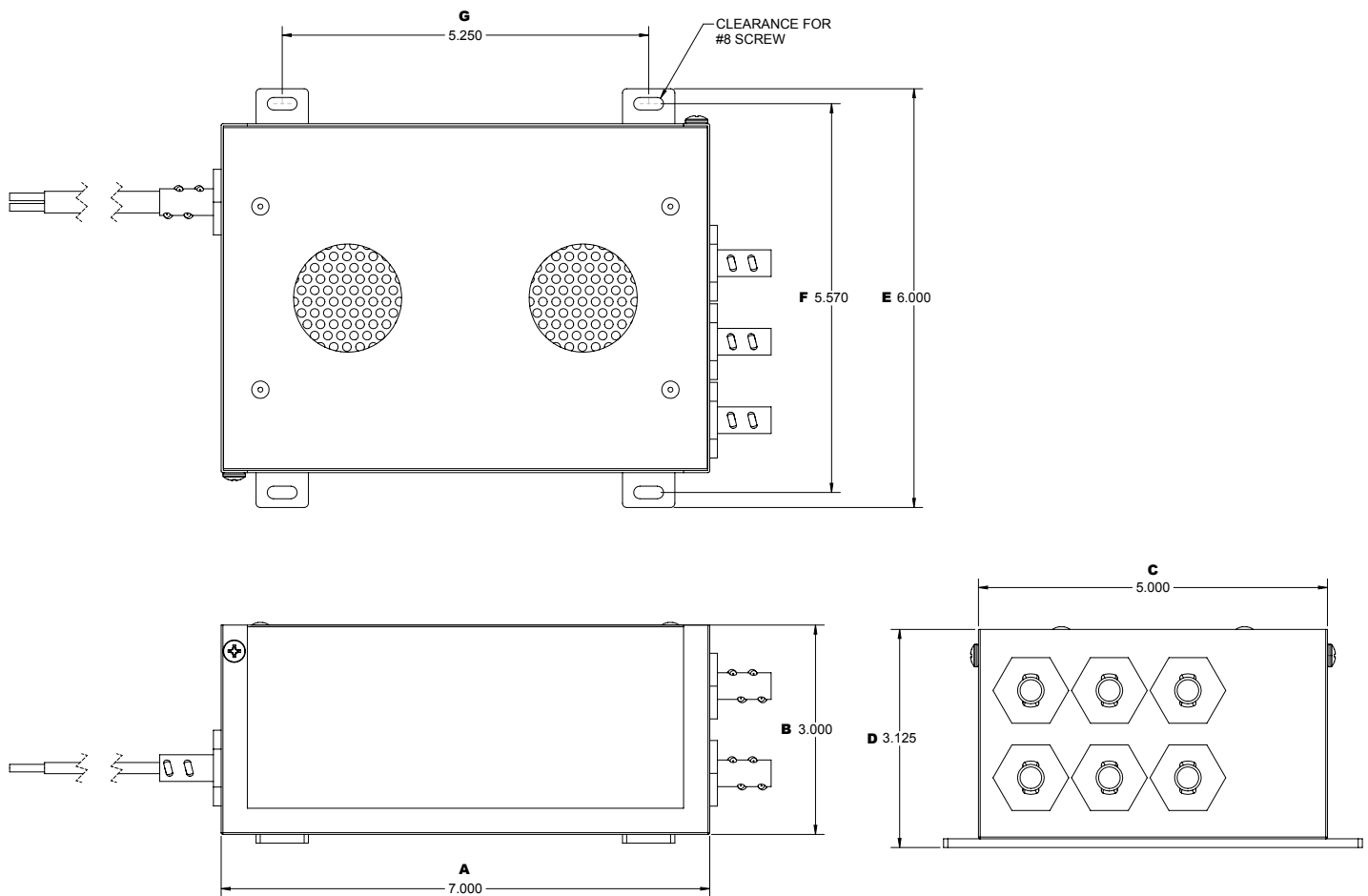
	COLOR TEMP	# OF LEDs	SIZE	MOUNTING	FINISH	J-BOX	OPTIONS
RV	5	5	012	048	00	WA	2
Revo							

	OUTPUTS	OUTPUT CURRENT	CURRENT LIMITING
1	25	p	
1	25 Amp	Passive	

Product Specification **RV604p**

DIMENSIONS	A	B	C	D	E	F	G
All measurements shown in inches.	7.00	3.00	5.00	3.125	6.00	5.57	5.25
MATERIAL	ALUMINUM ALLOY ENCLOSURE						
FINISH	POWDERCOATED						
MOUNTING	FINISHED / UNFINISHED WALL & CEILING STRUCTURES						
WEIGHT	1.15 lbs						

NOTE: Terminate wire in conformance to the NEC and any other applicable Local, State, County Codes, and in conformance to the regulatory agencies or authorities having jurisdiction (AHJ)



Revolt Programmable PWM Current Limiter features can be maximized when used in combination with other C3 Lighting power and control products, such as Helius™ Power Distribution Modules, Muse™ Lighting Control Modules and Intelligent Wall Dimmers. Refer to their respective product and specification sheets, or call factory for additional information on these products.

Specifications subject to change without notice. Contact factory for custom configurations.
 All referenced company and product names are trademarks, registered trademarks or copyrights of their respective holders.

