



C3 Lighting's Remote Power and Control Technology is at the heart of a unique wall mounted fixture for the Patient Rooms and Classrooms of the Future.

When installed at the head of the bed it provides bright LED illumination for reading and up-lighting to wash the wall and ceiling above the patient with either ambient or dawn-to-dusk illumination. Membrane wall switches, pillow speaker controls, iPhones and iPads provides the patient convenient control of their lighting.

These fixtures also enable designers, architects, manufacturers, integrators and lighting professionals to illuminate white boards or other classroom wall areas. The scope and diversity of uses for the fixture, combined with its inherently safe low voltage design, energy efficiency, eco-friendliness, shallow profile and perfectly even illumination make it ideal for integration with other C3 Lighting Advanced Classroom Fixtures to maximize classroom illumination.

Available for: (find your application below)

■ HEALTHCARE ■ CLASSROOM



Example of part number:

SL 5 5 4 - 012 - 048 - 00 - WA - 2 - S = **SL 554-012-048-00-WA-2-S**

■ HEALTHCARE

SPECIFICATIONS

HOUSING: Extruded Aluminum Sides and Aluminum Backplate. Flange units are provided with ceiling trim.

LENS: 1/8" White Acrylic Lens.

CIRCADIAN ILLUMINATION: Circadian/Dawn-to-Dusk - 590nm-amber to 16,000K (extreme blue-white).

ELECTRICAL: Aluminum J-Box with current limiter provided for Class 1 power. J-Box is optional for Class 2 power.

FINISH: Agion Antimicrobial White Powder Coat.

WARRANTY: Refer to www.c3lighting.com/warranty.html

SL	CIRCADIAN	COLOR TEMP DOWN AMBIENT	COLOR TEMP DOWN READING	COLOR TEMP DOWN EXAM	SIZE	MOUNTING	FINISH	J-BOX	OPTIONS
	N	N	N	N	04	006 - 036	WA	07	X
	N None	N None	N None	N None	006-036 (23.1-watts)	07 Wall Mount	WA Antimicrobial White	1 Class 1 Power** with current limiter	X Standard
	9 Circadian/Dawn-to-Dusk	0 2,000K	2 3,500K	E Exam Application Presets	(Contact factory for more size options)			2 Class 2 Power no j-box	S Sealed
		1 3,000K	3 4,200K	G 4,200K w/ Green Light Option				3 Class 2 power with j-box	
		2 3,500K	4 5,000K	2 3,500K					
		3 4,200K	5 6,000K	3 4,200K					
		4 5,000K		4 5,000K					
		5 6,000K		5 6,000K					

** Class 1 power only applies to shielded or RF/EM sensitive environments

CLASSROOM

SPECIFICATIONS

HOUSING: Extruded Aluminum Housing.

LENS: 1/8" White Acrylic Lens.

ILLUMINATION: 6,000K.

ELECTRICAL: Aluminum J-Box with current limiter provided. J-Box is optional for Class 2 power.

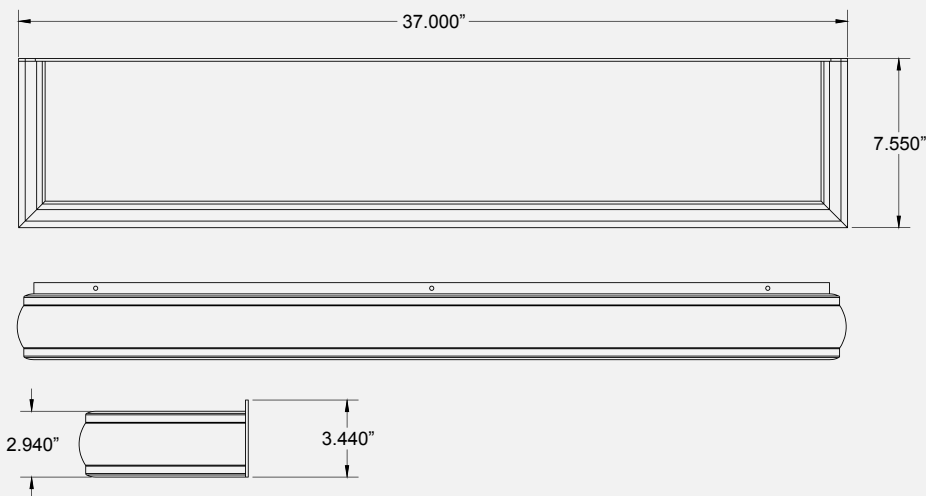
FINISH: White Powder Coat.

WARRANTY: Refer to www.c3lighting.com/warranty.html

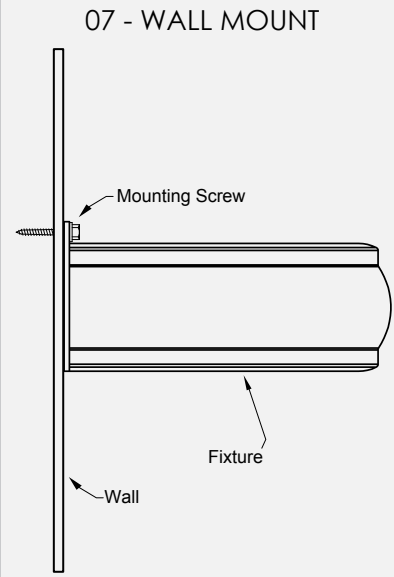
COLOR TEMP	SIZE	MOUNTING	FINISH	J-BOX
SL 5 5 6000K	WO - [] - []	07 Wall Mount	WS Standard White C Custom	[] - X
	006-024 (23.04-watts)			2 Class 2 Power no j-box
	006-036 (34.56-watts)			3 Class 2 power with j-box
	006-048 (46.08-watts)			
	006-060 (57.60-watts)			
	006-072 (69.12-watts)			
	006-096 (92.16-watts)			

(Contact factory for more size options)

DIMENSIONS



MOUNTING



Electrical (Based on 1 LED per sq. inch)

Note: Does not include a DC Power Supply!

LED 90K Hour Life

Draw: 24VDC, 1.44A, 34.56 (6" X 36"), +/- 10%

Diffuser/Lens

1/8" Translucent White PMMA Acrylic Diffuser

Accessories (Sold Separately)

- **Power Distribution:** Helius 24VDC Remote Power Distribution Module (See Power & Controls)
- **Hard Lid Grid Adapter Kit:** Specify fixtures for ceiling grid mount. One kit required per fixture, 2'x2' and 2'x4' only.

Controls (If Dimmable)

DMX switch(es) by C3 or DMX control(s) by others (512a DMX Protocol only)
(See Power & Controls)

Sealed (Optional)

- NSF Listed Silicone Seal
- NSF Listed Closed Cell Foam Gasket provided when specified with flush mount flange.
- IP66 Rated

Warranty Information

Refer to www.c3lighting.com/warranty.html

Certification & Compliance



Intertek

- Standard for Safety for Low Voltage Lighting Systems, **UL 2108** First Ed., Feb. 27, 2004
- Standard for Safety for Light Emitting Diode Equipment for Use in Lighting Products, **UL 8750**
- Standard for General Requirements for Luminaires **CSA C22.2** No. 9.0-96, July 1998

Finish

Agion® Antimicrobial protection using silver technology inhibits bacterial colonization on interior and exterior surfaces. Agion® antimicrobial FDA is recognized and EPA registered, meeting all applicable EPA standards.



PHOTOMETRIC DISTRIBUTION

All results in accordance to IESNA LM-79-2008: Approved Method for the Electrical and Photometric Testing of Solid-State Lighting.

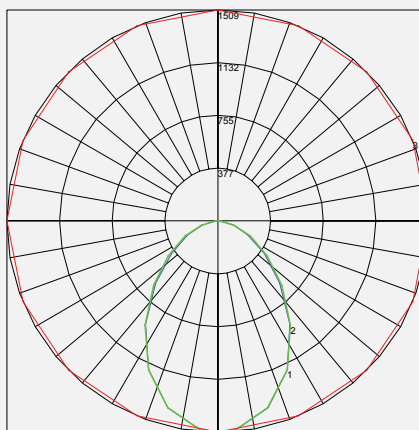
FIXTURE DATA

Dimensions	23.75"x23.75"x2"
Lamp	LED
Fixture Lumens	
Watts	
Mounting	
Correlated Color Temp	

ZONAL LUMEN SUMMARY

Zone	Lumens	% Lamp	% Fixt.
0-30	000	000	000
0-40	000	000	000
0-60	000	000	000
0-90	000	000	000
0-180	000	000	000

024-024



Maximum Candela = 1509 Located At Horizontal Angle = 0, Vertical Angle = 0
 # 1 - Vertical Plane Through Horizontal Angles (0 - 180) (Through Max. Cd.) : BLUE
 # 2 - Vertical Plane Through Horizontal Angles (45 - 225) : GREEN
 # 3 - Horizontal Cone Through Vertical Angle (0) (Through Max. Cd.) : RED

COEFFICIENTS OF UTILIZATION

RC	80				
	RW	70	50	30	10
0	119	119	119	119	119
1	109	104	99	95	95
2	99	90	84	78	78
3	90	79	71	65	65
4	82	70	61	55	55
5	76	63	54	47	47
6	70	56	47	41	41
7	65	51	42	36	36
8	60	46	38	32	32
9	56	42	34	28	28
10	52	39	31	26	26

LUMINANCE DATA

Angle In Degrees	Average 0-Deg	Average 45-Deg	Average 90-Deg
45	2564	2650	2580
55	2049	2169	2079
65	1633	1756	1667
75	1249	1361	1272
85	729	762	762



PHOTOMETRIC DISTRIBUTION

All results in accordance to IESNA LM-79-2008: Approved Method for the Electrical and Photometric Testing of Solid-State Lighting.

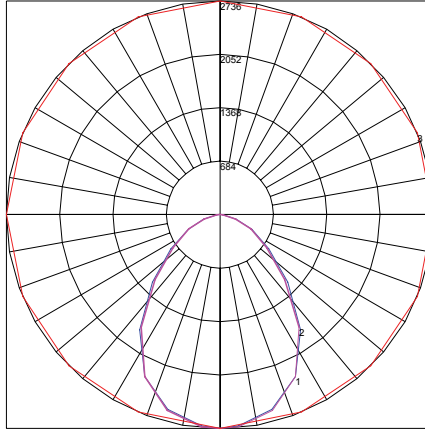
FIXTURE DATA

Dimensions	23.75" x 47.75" x 2"
Lamp	LED
Fixture Lumens	
Watts	
Mounting	
Correlated Color Temp	

ZONAL LUMEN SUMMARY

Zone	Lumens	% Lamp	% Fixt.
0-30	000	000	000
0-40	000	000	000
0-60	000	000	000
0-90	000	000	000
0-180	000	000	000

024-048



Maximum Candela = 2736 Located At Horizontal Angle = 0, Vertical Angle = 0
 # 1 - Vertical Plane Through Horizontal Angles (0 - 180) (Through Max. Cd.) : BLUE
 # 2 - Vertical Plane Through Horizontal Angles (90 - 270) : MAGENTA
 # 3 - Horizontal Cone Through Vertical Angle (0) (Through Max. Cd.) : RED

COEFFICIENTS OF UTILIZATION

RC	80			
	70	50	30	10
0	119	119	119	119
1	109	104	99	95
2	99	90	84	78
3	90	79	71	65
4	82	70	61	55
5	76	63	54	47
6	70	56	47	41
7	65	51	42	36
8	60	46	38	32
9	56	42	34	28
10	52	39	31	26

LUMINANCE DATA

Angle In Degrees	Average	Average	Average
	0-Deg	45-Deg	90-Deg
45	2564	2650	2580
55	2049	2169	2079
65	1633	1756	1667
75	1249	1361	1272
85	729	762	762

All results in accordance to IESNA LM-79-2008: Approved Method for the Electrical and Photometric Testing of Solid-State Lighting.

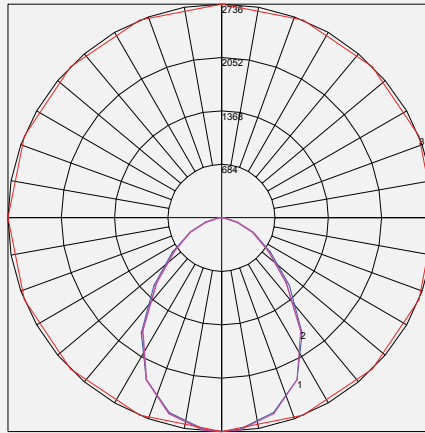
FIXTURE DATA

Dimensions	11.75" x 47.75" x 2"
Lamp	LED
Fixture Lumens	
Watts	
Mounting	
Correlated Color Temp	

ZONAL LUMEN SUMMARY

Zone	Lumens	% Lamp	% Fixt.
0-30	000	000	000
0-40	000	000	000
0-60	000	000	000
0-90	000	000	000
0-180	000	000	000

012-048



Maximum Candela = 2736 Located At Horizontal Angle = 0, Vertical Angle = 0
 # 1 - Vertical Plane Through Horizontal Angles (0 - 180) (Through Max. Cd.) : BLUE
 # 2 - Vertical Plane Through Horizontal Angles (90 - 270) : MAGENTA
 # 3 - Horizontal Cone Through Vertical Angle (0) (Through Max. Cd.) : RED

COEFFICIENTS OF UTILIZATION

RC	80			
	70	50	30	10
0	119	119	119	119
1	109	104	99	95
2	99	90	84	78
3	90	79	71	65
4	82	70	61	55
5	76	63	54	47
6	70	56	47	41
7	65	51	42	36
8	60	46	38	32
9	56	42	34	28
10	52	39	31	26

LUMINANCE DATA

Angle In Degrees	Average	Average	Average
	0-Deg	45-Deg	90-Deg
45	2564	2650	2580
55	2049	2169	2079
65	1633	1756	1667
75	1249	1361	1272
85	729	762	762

