



Aedis LED Wall Wash Fixtures are high power LED lights that are used for decorative lighting to highlight or wash walls of hospitals with a full spectrum of colors. Available in a variety of sizes, Aedis Wall Wash Fixtures consist of an array of ION™ Solid-State Light Engines mounted in specialized housings, pre-wired and configured to meet Class 1 or Class 2 electrical safety requirements. These fixtures enable designers, architects, manufacturers, integrators and lighting professionals to create new applications for LED illumination. The scope and diversity of uses for the Wall Wash Fixture, combined with their inherently safe low voltage design (when specified Class 2), energy efficiency, eco-friendliness, shallow profile and perfectly even illumination make them ideal for integration into healthcare lighting applications.

C3's "true" microprocessor controlled Dawn-to-Dusk technology (590nm-amber to 16,000K extreme blue-white) combined with 4-color wall washing, etc. create an industry first product that meets the requirements for the "patient room of the future".

Available for: (find your application below)

HEALTHCARE CLASSROOM ARCHITECTURE



Example of part number:

SL

COLOR TEMP	5	# OF LEDs	5	4	SIZE	012	048	MOUNTING	00	FINISH	WA	J-BOX	2	OPTIONS	S
------------	---	-----------	---	---	------	-----	-----	----------	----	--------	----	-------	---	---------	---

 = **SL 554-012-048-00-WA-2-S**

HEALTHCARE

SPECIFICATIONS

HOUSING: Extruded Aluminum Housing.

LENS: 1/8" White Acrylic Lens.

ILLUMINATION: RGB, RGBA, RGBW, 2,000K, 3,000K, 4,200K, 5,000K, 6,000K, Tunable-White, or Dawn-to-Dusk.

ELECTRICAL: Aluminum J-Box with current limiter provided for Class 1 power. J-Box is optional for Class 2 power.

FINISH: Agion Antimicrobial White Powder Coat.

WARRANTY: Refer to www.c3lighting.com/warranty.html

SL	COLOR TEMP	# OF LEDs	WIDTH	LENGTH	CONFIG	MOUNTING	FINISH	J-BOX	OPTIONS
0	2,000K	0 1 (*2929 lumens)	006-024		L Linear	00 Ceiling Grid T-bar	WS Standard White	1 Class 1 Power with current limiter	X Standard
1	3,000K	2 2 (*5858 lumens)	006-048		C Corner	02 Integral Flange Flush Mount	WA Antimicrobial White	2 Class 2 Power no j-box	S Sealed
2	3,500K	3 3 (*8787 lumens)	006-060			03 Cove Mount Recessed	C Custom	3 Class 2 power with j-box	
3	4,200K	4 4 (*11716 lumens)	006-096						
4	5,000K	(*Lumens based on 6" x 96" fixture at 4200K)	006-120						
5	6,000K								
7	Healthcare Tunable-White (3,000K-6,000K)								
9	Dawn-to-Dusk								
R	RGB								
A	RGBA								
W	RGBW								

(Contact factory for more size options)

*Custom seamless lens options available. Consult with Factory.

** Class 1 power only applies to shielded or RF/EM sensitive environments

CLASSROOM

SPECIFICATIONS

HOUSING: Extruded Aluminum Housing.

LENS: 1/8" White Acrylic Lens.

ILLUMINATION: RGB, RGBA, RGBW, 2,000K, 3,000K, 4,200K, 5,000K, 6,000K, Classroom Presets or Dawn-to-Dusk.

ELECTRICAL: Aluminum J-Box with current limiter provided for

Class 1 power. J-Box is optional for Class 2 power.

FINISH: White Powder Coat.

WARRANTY: Refer to www.c3lighting.com/warranty.html

SL	COLOR TEMP	# OF LEDs	WIDTH	LENGTH	CONFIG	MOUNTING	FINISH	J-BOX
	<input type="text"/>	7 <input type="text"/>	<input type="text"/>	<input type="text"/>	<input type="text"/>	<input type="text"/>	<input type="text"/>	<input type="text"/>
0	2,000K	0 1 (*2929 lumens)	006-024		L Linear	00 Ceiling Grid T-bar	WS Standard White	1 Class 1 Power with current limiter
1	3,000K	2 2 (*5858 lumens)	006-048		C Corner	02 Integral Flange Flush Mount	C Custom	2 Class 2 Power no j-box
2	3,500K	3 3 (*8787 lumens)	006-060			03 Cove Mount Recessed		3 Class 2 power with j-box
3	4,200K	4 4 (*11716 lumens)	006-096					
4	5,000K	(*Lumens based on 6" x 96" fixture at 4200K)	006-120					
5	6,000K							
8	Classroom Advanced Lighting Presets							
9	Dawn-to-Dusk							
R	RGB							
A	RGBA							
W	RGBW							

*Custom seamless lens options available. Consult with Factory.

** Class 1 power only applies to shielded or RF/EM sensitive environments

ARCHITECTURE

SPECIFICATIONS

HOUSING: Extruded Aluminum Housing.

LENS: 1/8" White Acrylic Lens.

ILLUMINATION: RGB, RGBA, RGBW, 2,000K, 3,000K, 4,200K, 5,000K, 6,000K, Tunable-White, or Dawn-to-Dusk.

ELECTRICAL: Aluminum J-Box with current limiter provided for

Class 1 power. J-Box is optional for Class 2 power.

FINISH: White Powder Coat.

WARRANTY: Refer to www.c3lighting.com/warranty.html

SL	COLOR TEMP	# OF LEDs	WIDTH	LENGTH	CONFIG	MOUNTING	FINISH	J-BOX
	<input type="text"/>	7 <input type="text"/>	<input type="text"/>	<input type="text"/>	<input type="text"/>	<input type="text"/>	<input type="text"/>	<input type="text"/>
0	2,000K	0 1 (*2929 lumens)	006-024		L Linear	00 Ceiling Grid T-bar	WS Standard White	1 Class 1 Power with current limiter
1	3,000K	2 2 (*5858 lumens)	006-048		C Corner	02 Integral Flange Flush Mount	C Custom	2 Class 2 Power no j-box
2	3,500K	3 3 (*8787 lumens)	006-060			03 Cove Mount Recessed		3 Class 2 power with j-box
3	4,200K	4 4 (*11716 lumens)	006-096					
4	5,000K	(*Lumens based on 6" x 96" fixture at 4200K)	006-120					
5	6,000K							
7	Architectural Tunable-White (2,700K-4,200K)							
9	Dawn-to-Dusk							
R	RGB							
A	RGBA							
W	RGBW							

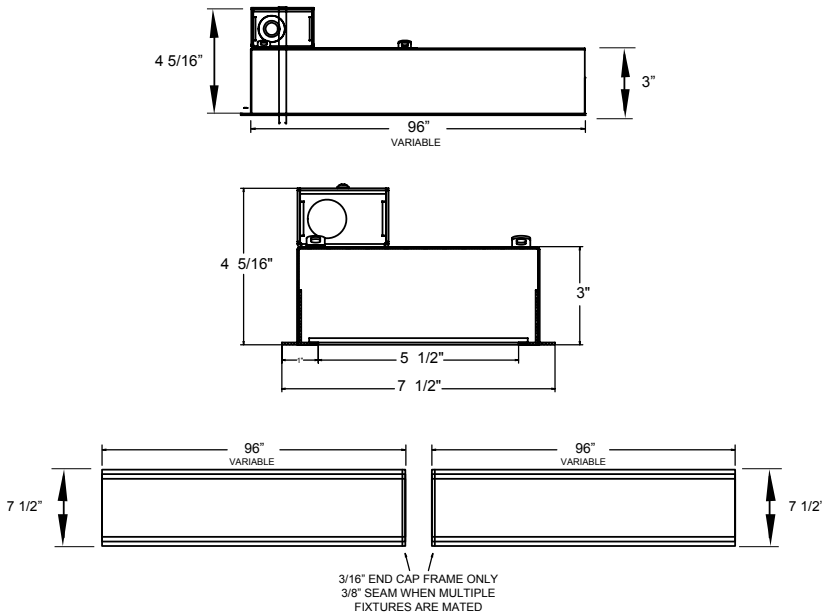
*Custom seamless lens options available. Consult with Factory.

** Class 1 power only applies to shielded or RF/EM sensitive environments

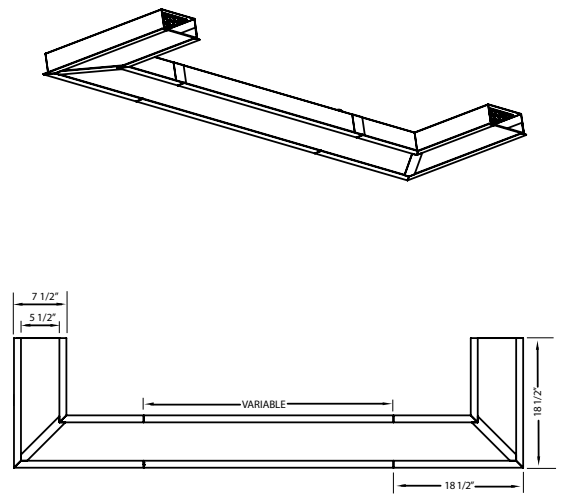


DIMENSIONS

STANDARD



CUSTOM



Electrical (Based on 1 LED per sq. inch)

Note: Does not include a DC Power Supply!

LED 90K Hour Life

Draw: 24VDC, 7.68A, 184.32W, +/- 10%

Diffuser/Lens

1/8" Translucent White PMMA Acrylic Diffuser

Accessories (Sold Separately)

Power Distribution: Helius 24VDC Remote Power Distribution Module (See Power & Controls)

Controls (If Dimmable)

0-10V switch(es) (by others), DMX switch(es) by C3 or others (512a DMX Protocol only)
(See Power & Controls)

Sealed (Optional)

- NSF Listed Silicone Seal
- NSF Listed Closed Cell Foam Gasket provided when specified with flush mount flange.
- IP66 Rated

Warranty Information

Refer to www.c3lighting.com/warranty.html

Certification & Compliance



Intertek

- Standard for Safety for Low Voltage Lighting Systems, **UL 2108** First Ed., Feb. 27, 2004
- Standard for Safety for Light Emitting Diode Equipment for Use in Lighting Products, **UL 8750**
- Standard for General Requirements for Luminaires **CSA C22.2** No. 9.0-96, July 1998

Finish

Agion® Antimicrobial protection using silver technology inhibits bacterial colonization on interior and exterior surfaces. Agion® antimicrobial FDA is recognized and EPA registered, meeting all applicable EPA standards.

